

Parapet Drainage

b/s/t PP Spout / Parapet Drain RS*

with bent base plate, construction without water backup rim

Specification ← **Material**
PP, high impact strength,
UV-stabilised

Pipe length
300 mm

Special model*
Maximum pipe length: 1000 mm

Drainage pipe
3°

Membrane flange
PP (see page 159)

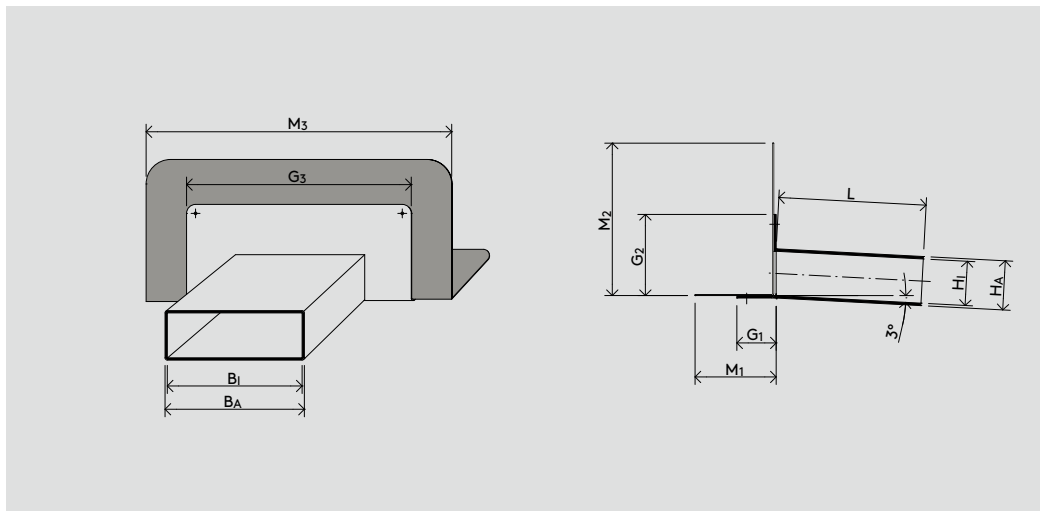
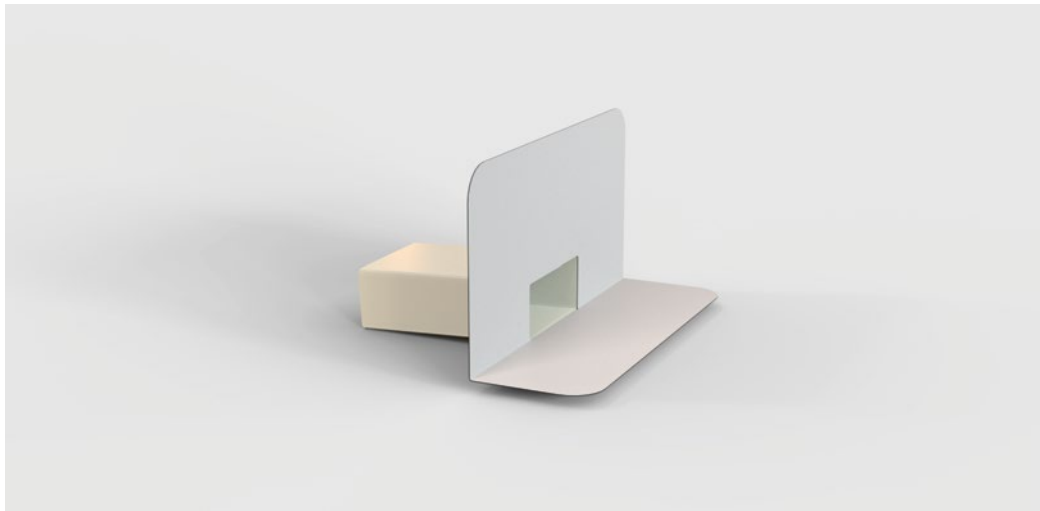
INFO Please order ←
membrane
flange
separately

Free ←
calculation of
quantity and
flow rate

Special models ←
on request*



to max 1000



WG 1322 ←

Type [mm]	Product No.	HA [mm]	H1 [mm]	BA [mm]	BI [mm]	G1 [mm]	G2 [mm]	G3 [mm]	M1 [mm]	M2 [mm]	M3 [mm]	L [mm]
100 x 100	PP150-100	100	90	100	90	80	170	240	190	310	500	300
150 x 100	PP150-150	100	90	150	140	80	170	290	190	310	550	300
200 x 100	PP150-200	100	90	200	190	80	170	340	190	310	600	300

* Custom-made products cannot be returned.
See calculation tool under „Service“ on www.bst-gmbh.de
Status: 03/22 b/s/t GmbH Koch Kunststofftechnologie reserves the right to make technical modifications.